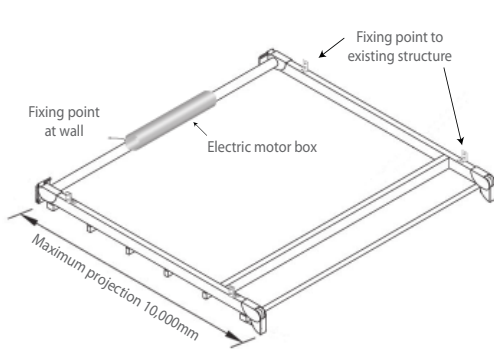


SKYMAX EVO RETRACTABLE ROOF SPECIFICATIONS

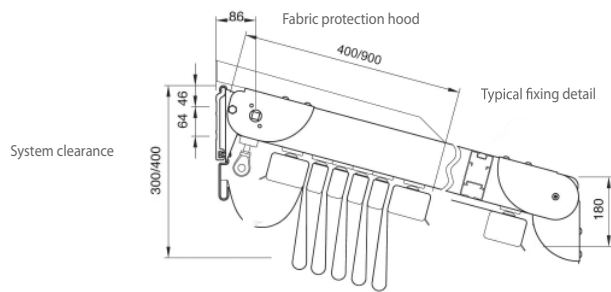
Please note illustrations are not to scale. All measurements are in millimetres. Please contact your Tecnic representative for additional information.



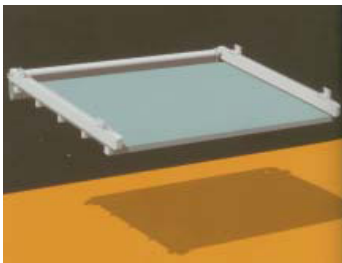
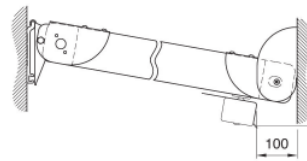
Maximum width 5000mm centre/centre runner



Maximum 25,000mm achievable in one single skin (with six runners)



Wall / Wall fixing detail



SIZES	
WIDTH & PROJECTION	Max. width 15m - Max. projection 10m
OPERATION	
TYPE	Motorised / Manual
HARDWARE	
MATERIAL	All components made from non corrosive materials, including 316 stainless steel connectors & bolts. 6061 grade extruded aluminium support frame (available in over 200 colours)
FABRIC OPTIONS	
	Reinforced high tensility polyester core PVC (Precontrant Ferrari 602 + 302)
	Ferrari Soltis 86/92 reinforced high tensility polyester core sunscreens
	Marine grade acrylic (Dickson Orchestra)
CONTROL OPTIONS	
	Integrated lighting modules
	Integrated electric radiant heat panels
	Integrated self zipping motorised blinds & curtains
	Integrated drainage system

P 1300 832 642
E action@tecnic.com.au

3 / 87 Reserve Rd
Artarmon NSW 2064

www.tecnic.com.au

TECNIC

